

### DATA SHEET - BATERIA ESTACIONÁRIA LIVRE DE MANUTENÇÃO / MAINTENANCE-FREE STATIONARY BATTERY



**MODELO / MODEL:**

12CE105

**TECNOLOGIA / TECHNOLOGY:**

Bateria Chumbo-Ácido / Lead Acid Battery

**TENSÃO NOMINAL / VOLTAGE:**

12 V

**DIMENSÕES / DIMENSIONS:**

mm (Polegadas) / mm (inches)

**COR / COLOR:**

Preto e Vermelho / Black and Red

**PESO ÚMIDA / WET WEIGHT:**

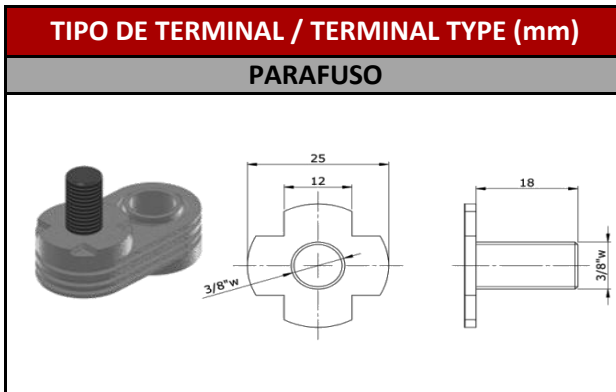
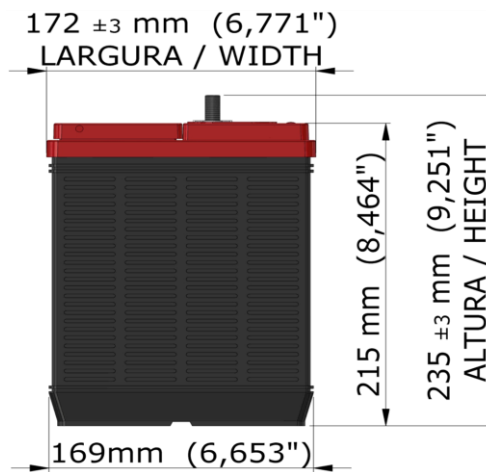
25,90 Kg (57,099 lbs.)

**MATERIAL / MATERIAL:**

Polipropileno(PP) / Polypropylene (PP)

### DIMENSÕES (mm) / DIMENSIONS (in)

COMPRIMENTO - LENGTH	LARGURA - WIDTH	ALTURA - HEIGHT
330 mm (12,992")	172 mm (6,771")	235 mm (9,251")



### DESEMPENHO / PERFORMANCE

C 100 (Ah)	C 20 (Ah)	C 10 (Ah)	C 05 (Ah)	C 03 (Ah)	C 01 (Ah)
115,0	105,0	94,0	85,0	75,0	60,0